

# 400023

## Orto Multi Power Ceiling LED Bulkhead 3CCT - 3hr Emergency



### FEATURES

- Power selectable: 18/20/22/24/26/28W
- 3CCT(3000K/4000K/6000K)
- IP54 rated
- IK08 rated
- 5 years warranty (3 years for battery)
- Polycarbonate housing and diffuser
- Microwave Sensor options available
- Dimmable option available
- Various bezels & Halo body versions are available



Polished Chrome

Black

Orto Bulkhead is a Multi power and 3CCT LED luminaire designed as a modern replacement for the larger bodied traditional 2D fluorescent fittings.

With an IP54 rating and IK08 impact resistance, it is a reliable solution for stairwells, corridors, residential areas, architectural spaces and many other areas. Emergency version providing 3-hour battery backup upon mains failure.

Available in various options including dimmable, sensor, emergency and wireless technology.



### AVAILABLE OPTIONS



Code	Description	Wattage	Colour	Lumens
400023	Orto Multi Power Ceiling LED Bulkhead 3CCT -3hr Emergency	18/20/22/24/ 26/28W	3000K/4000K/6000K	2700-4200lm

0113 426 8300

sales@performance-lighting.co.uk

Unit B8, Astra Business Park,  
Parkside Lane, Leeds LS11 5SZ

www.performance-lighting.co.uk

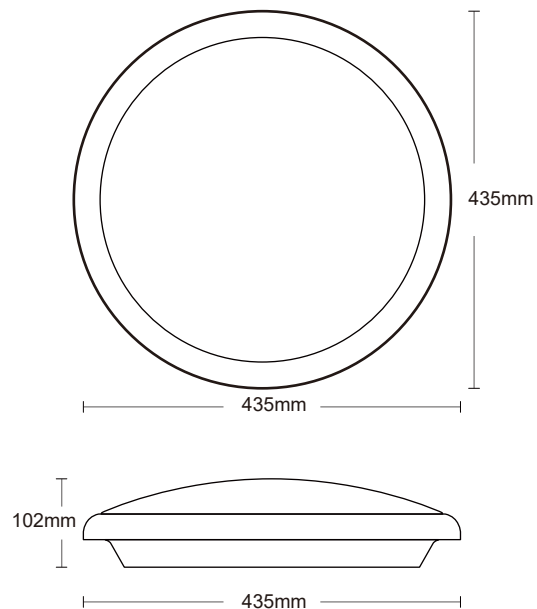
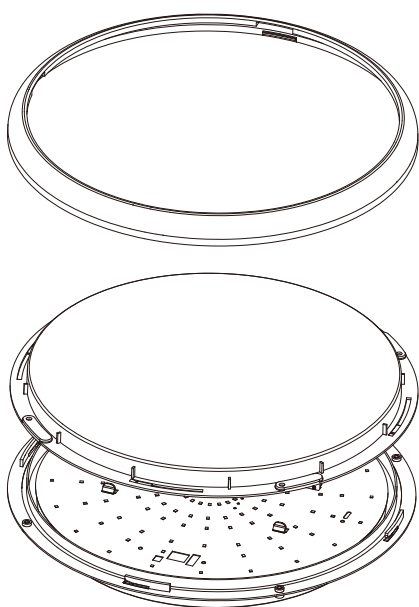


# 400023

## Orto Multi Power Ceiling LED Bulkhead 3CCT - 3hr Emergency

### TECHNICAL SPECIFICATION

Color Index	Ra>80, R9>0
Energy efficiency Class	D
Color consistency in level	SDCM<3
Lumen Efficacy	150lm/w
THD	<15%
Starting Time	<0.5S
Switching Cycle before Failure	>10,000 times
Colour Temperature	3000K/4000K/6000K
MS Function	N/A
EM Function	2.5W/350lm emergency output
Flicker OR Not	Flicker Free
Power Factor	PF>0.95
LED current	Constant 150mA
Input Voltage	AC200~240V 50/60Hz
Working Voltage	Constant DC36~42V
IP Rating	IP54
Temperature	Operation:-15 C~+50 C Storage:-25 C~+55 C
Life Span	30,000 hours
Warranty	5 years
Pst LM/SVM	<0.5/<0.2



0113 426 8300

sales@performance-lighting.co.uk

Unit B8, Astra Business Park,  
Parkside Lane, Leeds LS11 5SZ

www.performance-lighting.co.uk

