

400024

Orto Multi Power Ceiling LED Bulkhead 3CCT - Microwave Sensor & 3hr Emergency



FEATURES

- Power selectable: 18/28W
- 3CCT(3000K/4000K/6000K)
- IP54 rated
- 5-year warranty (3 years for battery)
- IK08 rated
- Sensor option available
- Dimmable option available
- Various bezels are available



Orto Bulkhead is a 3CCT LED luminaire designed as a modern replacement for traditional 2D fluorescent fittings. Built with a durable IP54-rated housing and IK08 impact resistance, it provides reliable illumination for stairwells, corridors, residential areas, and architectural spaces.

Available with multiple functional options - including dimmable and sensor - Orto offers flexibility for a wide range of commercial and domestic applications.



AVAILABLE OPTIONS



Code	Description	Wattage	Colour	Lumens
400024	Orto Multi Power Ceiling LED Bulkhead 3CCT - Microwave Sensor & 3hr Emergency	18W/28W	3000K/4000K/6000K	2700-4200lm

TECHNICAL SPECIFICATION

Color Index	Ra>80, R9>0
Energy efficiency Class	D
Color consistency in level	SDCM<3
Lumen Efficacy	150lm/w
THD	<15%

0113 426 8300

sales@performance-lighting.co.uk

Unit B8, Astra Business Park,
Parkside Lane, Leeds LS11 5SZ

www.performance-lighting.co.uk

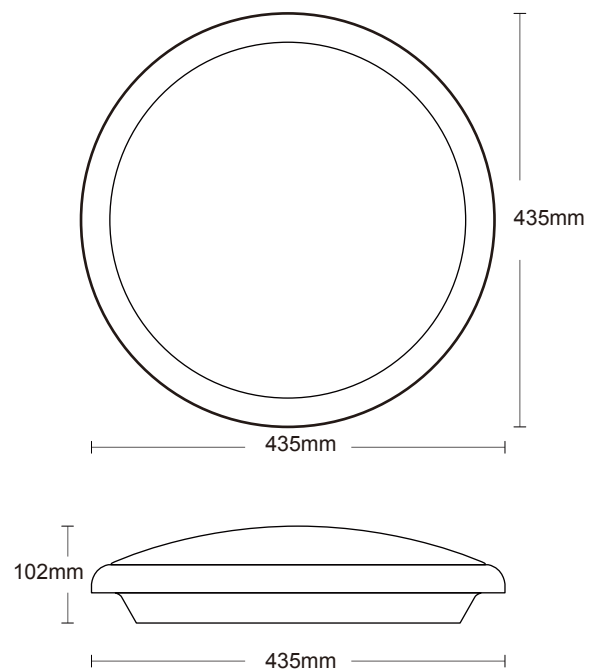
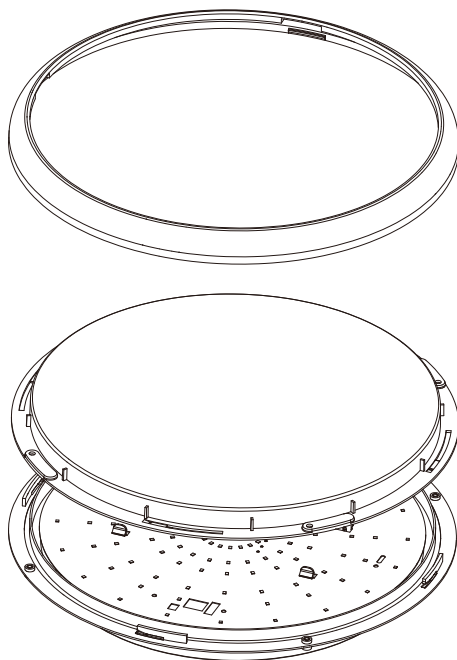


400024

Orto Multi Power Ceiling LED Bulkhead 3CCT - Microwave Sensor & 3hr Emergency

TECHNICAL SPECIFICATION

Starting Time	<0.5S
Switching Cycle before Failure	>10,000 times
Colour Temperature	3000K/4000K/6000K
MS Function	Stand-by MS (corridor function)
EM Function	1W/3H (10% output)
Flicker OR Not	Flicker Free
Power Factor	PF>0.95
LED current	Constant 150mA
Iput Voltage	AC200~240V 50/60Hz
Working Voltage	Constant DC36~42V
IP Rating	IP54
Temperature	Operation:-15 C ~+50 C Storage:-25 C ~+55 C
Life Span	30,000 hours
Warranty	5 years,EM batteny 3 years warranty
Pst LM/SVM	<0.5/<0.2



0113 426 8300

sales@performance-lighting.co.uk

Unit B8, Astra Business Park,
Parkside Lane, Leeds LS11 5SZ

www.performance-lighting.co.uk

